

Highland Stone®

Round Fire Pit Kit

Installation Guide



144th & Giles | Omaha, NE

Phone: (402) 896-0900

watkinsconcreteblock.com

Safety Notice:

Always call Nebraska 811 to have your utilities marked before digging in your yard. Always follow city and state codes when building fire pits.



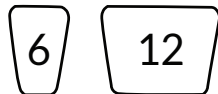
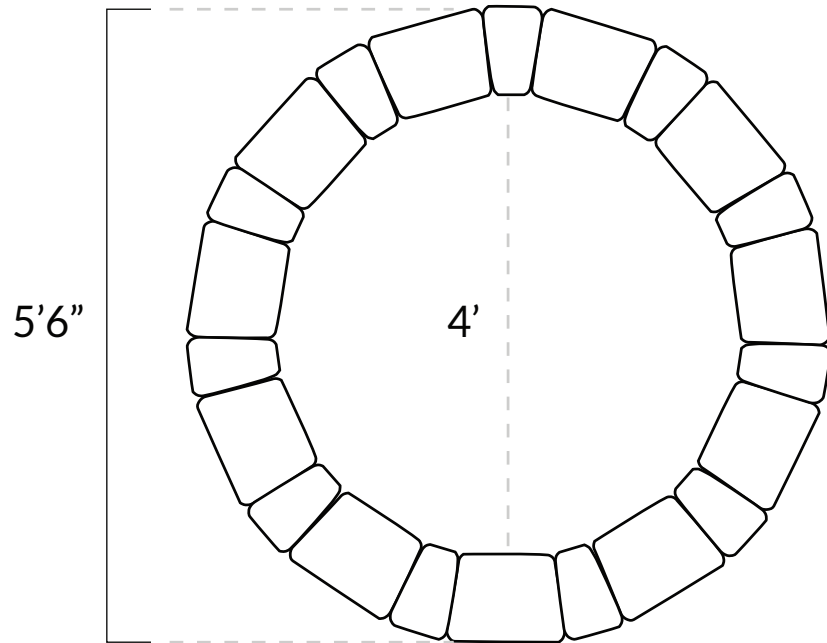
Instructions:

If building on an existing patio surface, please continue to step 4.

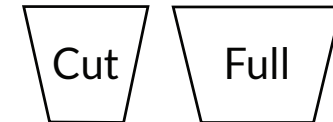
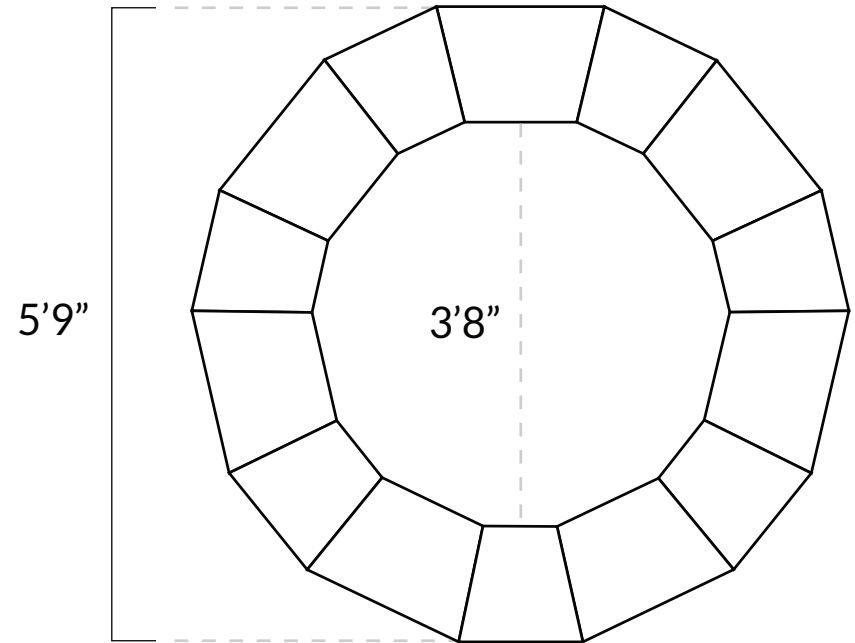
1. Find a desired area in your yard that is suitable for a fire pit. Mark out the shape of your fire pit using marking paint or chalk.
2. Remove sod and soil to a depth that will accommodate 1 course of buried blocks plus base material (recommended).
3. Add aggregate base and compact with a hand tamper. To ensure proper compaction, compact in lifts of two inches or less. Check the area with a level before you begin laying the first course of blocks.
4. Center the metal ring in the prepared area to use as a guide while installing the blocks.
5. Following the attached diagram, install the first course of blocks, ensuring that each block is level front to back, side to side, and level with the blocks next to it.
6. After the first course is set and leveled, start building the second course as shown on the attached diagram.
7. One by one, remove each block from the second course, apply adhesive, and set back into place with firm downward pressure. Continue this process until all blocks on the second course are glued. Check for level before moving on to the next step.
8. Repeat steps 5 & 6 if building a fire pit with a third course.
9. If your fire pit contains cap units, you will need ensure that the metal ring is level with or just below the top course of blocks.
10. Using the same method as in steps 5 & 6, install the pre-cut cap units following the attached diagram.
11. Fill the bottom on the fire pit ring with aggregate such as lava rock. If your fire pit is on an existing patio surface, ensure that the fire will not damage the surface below.
12. Once construction is complete and the glue has dried, you are ready to enjoy your first fire.

Installation Layout:

Courses 1 & 3*



Caps



*Courses should be rotated during construction to stagger bond lines.

Materials Needed:

- 3" XL Caps - 14 (7 cut, 7 full)
- Pairs - 11 (per course)
- Metal Ring
- Adhesive (optional)
- Base Aggregate (optional)

