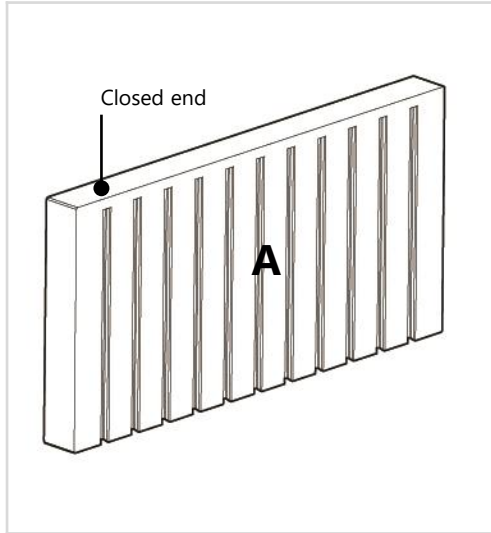


PARTS LIST - CONCRETE PANELS

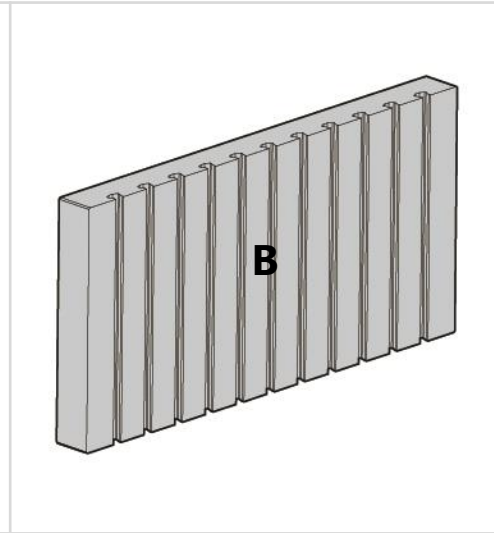
18 x 36 x 3" (150 lbs)

457 x 914 x 76 mm (67 kg)

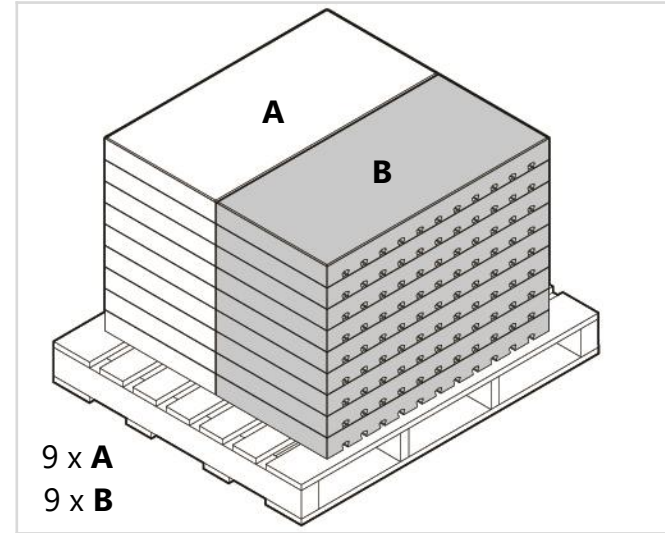


18 x 36 x 3" (148 lbs)

457 x 914 x 76 mm (66 kg)

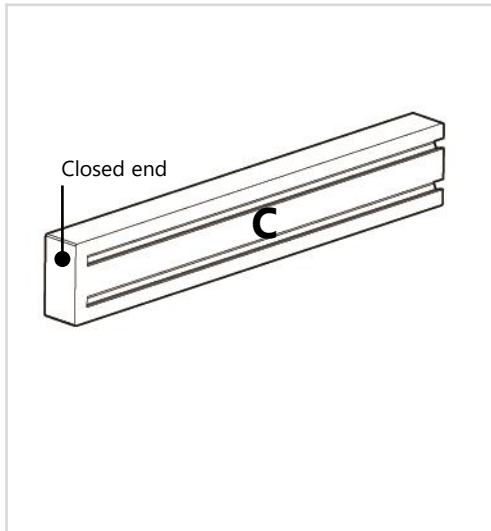


*40 x 48" Pallet (18 units/pallet)



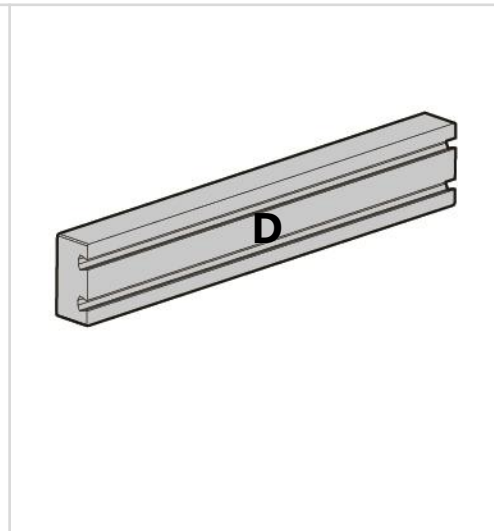
6 x 36 x 3" (49 lbs)

152 x 914 x 76 mm (22 kg)

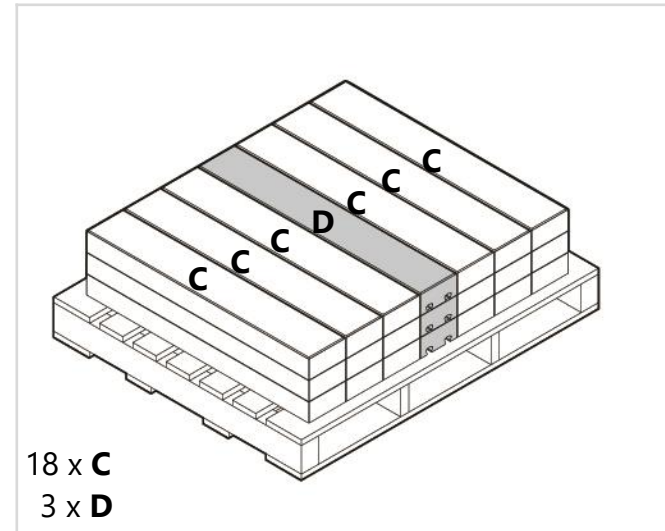


6 x 36 x 3" (49 lbs)

152 x 914 x 76 mm (22 kg)



*40 x 48" Pallet (21 units/pallet)



***IMPORTANT:** 18x36" panels are sold in pair/layer or in full pallet only. 6x36" panels are sold per unit or in layer or in full pallet.